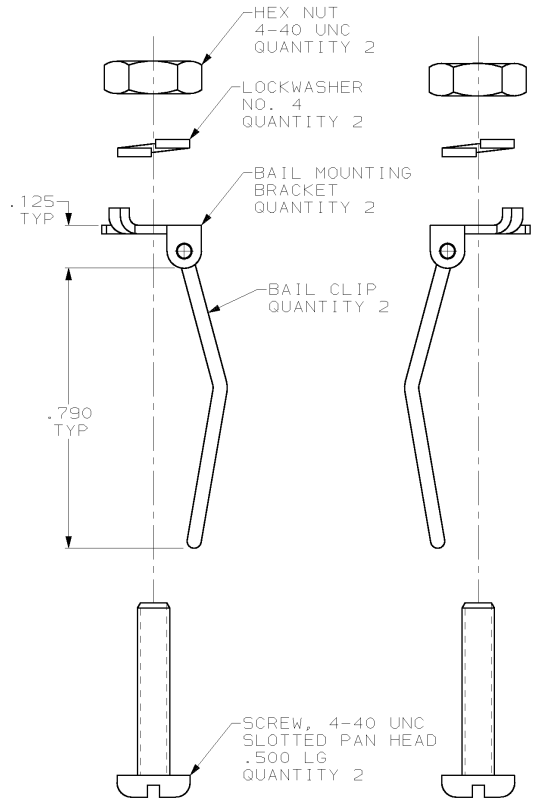
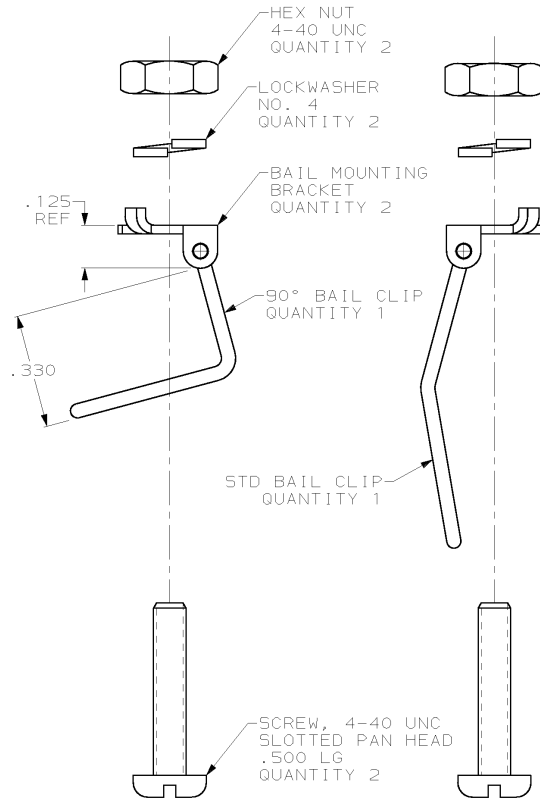


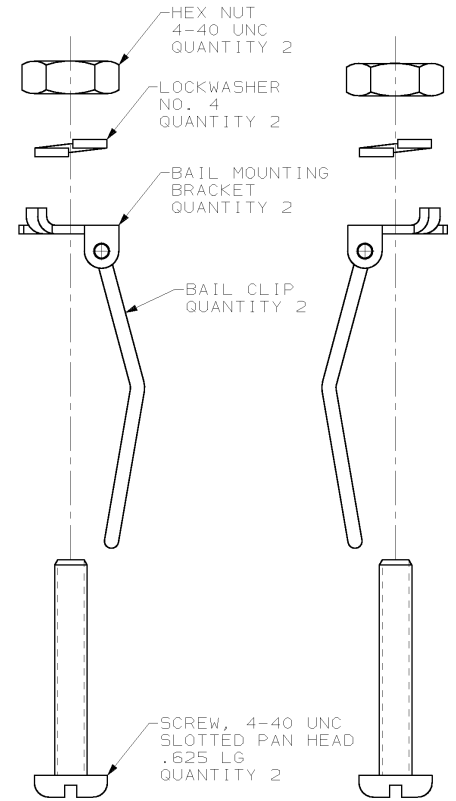
LOC	DIST	REVISIONS			
P	LTR	DESCRIPTION	DATE	OWN	APVD
AA	20	D	REVISED PER EC 0515-0213-03	26AUG03	DD RM



PN 552567-1



PN 552567-2



PN 552567-3

.625	-	2	552567-3
.500	1	1	552567-2
.500	-	2	552567-1
SCREW LENGTH	90° BAIL CLIP	STD BAIL CLIP	PART NUMBER

1. MATERIAL: BAIL CLIP - STAINLESS STEEL, PASSIVATED; ALL OTHERS PARTS ZINC OR CADMIUM PLATED STEEL.
2. PARTS SHIPPED LOOSE PIECE IN A BAG OR CONTAINER.

THIS DRAWING IS A CONTROLLED DOCUMENT.		DSN DL DRUMMOND 26AUG2003 CHK RP McCRAW 26AUG2003 APVD RP McCRAW 26AUG2003	AMP TYCO Electronics Harrisburg, PA 17105-3608
DIMENSIONS: INCHES 0 PLC ± 1 PLC ± 2 PLC ± 3 PLC ± 4 PLC ± ANGLE ±	TOLERANCES UNLESS OTHERWISE SPECIFIED: ±.0005 ±.0010 ±.0015 ±.0020 ±.0025 ±.0030 ±.0035 ±.0040 ±.0045 ±.0050	PRODUCT SPEC APPLICATION SPEC WEIGHT CUSTOMER DRAWING	HARDWARE KIT, BAIL LOCK, PANEL MOUNTING, CHAMP SIZE CASE CODE (DRAWING NO) A200779-552567 RESTRICTED TO SCALE 4:1 SHEET 1 OF 1 REV D

552567